



Europäisches Patentamt
 European Patent Office
 Office européen des brevets



(11) EP 1 143 245 A2

(12) EUROPEAN PATENT APPLICATION

(43) Date of publication:
 10.10.2001 Bulletin 2001/41

(51) Int Cl.7: G01N 33/487, G01N 33/50,
 C12Q 1/00

(21) Application number: 01108233.6

(22) Date of filing: 31.03.2001

(84) Designated Contracting States:
 AT BE CH CY DE DK ES FI FR GB GR IE IT LI LU
 MC NL PT SE TR
 Designated Extension States:
 AL LT LV MK RO SI

(72) Inventor: Zivitz, Maury
 Indianapolis, IN 46250 (US)

(30) Priority: 03.04.2000 US 541552

(74) Representative: Poreda, Andreas, Dr. et al
 Roche Diagnostics GmbH,
 Patent Department
 68298 Mannheim (DE)

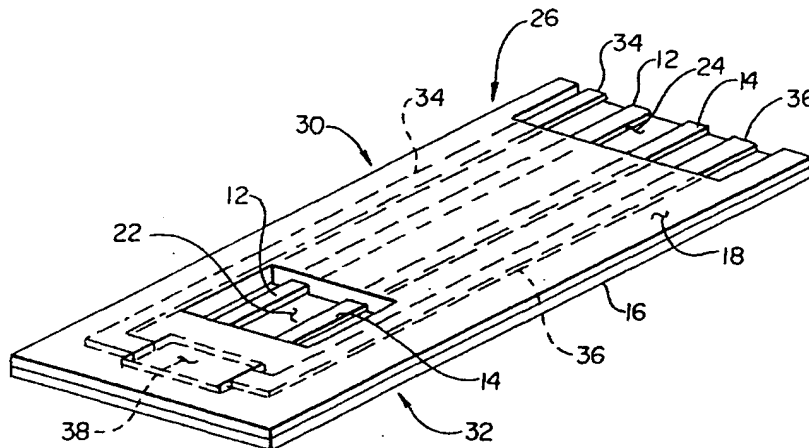
(71) Applicant: Roche Diagnostics Corporation
 Indianapolis, IN 46250 (US)

(54) Biosensor electromagnetic noise cancellation

(57) A biosensing cell assembly having a measurement loop with a test cell having an analyte reaction zone for amperometric measurement of a response current to determine analyte concentration and a noise cancellation loop arranged to be physically exposed to the

same electromagnetic environment as the measurement loop. The noise cancellation loop has a predetermined impedance within a range of the impedance of the test cell analyte reaction zone and provides a current to cancel or reduce the effects of the electromagnetic environment on the measurement loop.

Fig. 2



BEST AVAILABLE COPY

EP 1 143 245 A2

Description**Background of the Invention**

[0001] In the past, it has been found desirable to use amperometric analysis of biosensing cell assemblies to determine the concentration or presence of analytes as e.g. glucose. This type of analysis is nowadays widespread in particular in the field of diabetic monitoring. Such analysis, however, was possibly subject to electromagnetic interference because of the loop formed by such cells in their disposable form, wherein a pair of conductors were supported on an insulating substrate with a remote test cell completing the circuit for analysis of a response current, which in one embodiment may be a Cottrell current. In the prior art, any stray electromagnetic fields present to the biosensing cell assembly may cause a spurious signal ("noise"), interfering with and distorting the response current. The present invention overcomes this difficulty by providing a noise cancellation and method to improve the measurement of the response current in such biosensing cell assemblies. An important aspect of the present invention is to provide noise cancellation for disposable test elements (biosensing cell assemblies).

[0002] The present invention concerns a biosensing cell assembly with a measurement loop on a substrate and a noise cancellation loop physically arranged to be exposed to substantially the same electromagnetic environment as the measurement loop and to substantially cancel the effect of stray fields. In a preferred embodiment measurement loop and noise cancellation loop are together arranged on a disposable biosensing cell assembly (also known as test element or test strip). The invention further concerns a system comprising the biosensing cell assembly and an instrument for evaluation of the assembly to determine analyte concentrations. A further aspect of the present invention is a method for reducing electromagnetic interferences in a measurement loop of a biosensing cell assembly.

Brief Description of the Drawings

[0003] Figure 1 is a prior art biosensing cell assembly.

[0004] Figure 2 is a biosensing cell assembly according to the present invention.

[0005] Figure 3 is a circuit diagram of a simplified circuit useful for energizing and measuring the response current in the biosensing cell assembly of Figure 2.

[0006] Figure 4 is a simplified block diagram of the biosensing cell assembly of Figure 2 and the circuit of Figure 3.

[0007] Figure 5 is a second embodiment of a biosensing cell assembly according to the present invention.

[0008] Figure 6 is a section view along line 6-6 of Figure 5.

[0009] Figure 7 is a still further embodiment of a biosensing cell assembly shown inserted into an instru-

ment housing for energizing and reading the cell assembly according to the present invention.

[0010] Figure 8 is a view similar to that of Figure 7, but with the biosensing cell assembly removed from the instrument housing and showing further aspects of this embodiment of the present invention.

[0011] Figure 9 is a simplified electrical schematic of another form of a circuit useful for energizing and measuring the response current in the biosensing cell assembly according to the present invention.

Detailed Description of the Invention

[0012] Referring now to the figures, and most particularly to Figure 1, a prior art biosensor cell assembly 10 includes a pair of electrodes or conductors 12 and 14 which are supported on a polymeric sheet or substrate 16. A cover sheet 18 is provided with openings 20 and 24 which expose the conductors 12 and 14. Opening 20 creates a well and provides access to a reaction zone 22 between conductors 12 and 14. A gel-like layer (not shown) or other form of reactants overlays conductors 12 and 14 to form reaction zone 22. In operation, an analyte-containing fluid sample is preferably placed on the reaction zone 22 to determine the concentration of analyte using amperometric analysis. The prior art assembly 10 may be subject to electromagnetic interference when undergoing amperometric analysis, more particularly, stray electromagnetic fields may pass through a measurement loop 26 formed by the conductors 12 and 14 and the reaction zone 22. It is to be understood that the measurement loop 26 will form a complete circuit when connected to an instrument (as will be described *infra*) to perform the amperometric analysis.

[0013] Referring now to Figure 2, a first embodiment of the biosensor cell assembly 30 of the present invention may be seen. In this embodiment, the measurement loop 26 is the same or similar to that shown in Figure 1. The biosensor cell assembly may be designed according to disposable electrochemical test elements known in the art. Such test elements are described e.g. in US 5,288,636. In addition, however, there is a noise cancellation loop 32 physically arranged to be exposed to substantially the same electromagnetic environment as the measurement loop 26. As shown in Figure 1 the noise cancellation loop 32 can advantageously be provided on the (disposable) biosensor cell assembly 30. The noise cancellation loop 32 includes a pair of spaced apart conductors 34, 36 and a predetermined impedance 38. Impedance 38 may be a resistor and is preferably within a range of the impedance of the reaction zone or test cell 22 when the test cell 22 is amperometrically monitoring a response current to provide an indication of the analyte concentration being measured. For example, if the test cell 22 varies between 20K ohms and 100K ohms for various analyte concentrations to be measured, impedance 38 is preferably selected to be between 20K ohms and 100K ohms, and most prefera-

bly about 60K ohms, for a range of amperometric response currents from 10 to 50 microamperes.

[0014] As may be seen in Figure 2, loop 32 closely surrounds loop 26, generally circumscribes the same area, and is in generally the same plane, so that any ambient electromagnetic field will affect or influence loops 26 and 32 substantially the same. More particularly, any error current induced in measurement loop 26 will be substantially the same as an error current induced in the noise cancellation loop 32. Since loop 32 has a known, fixed impedance, the error current may be removed from loop 26 by subtracting the error current in loop 32. It is to be understood that the error currents and error subtraction occur only when the assembly 30 is connected to an instrument for amperometric analysis.

[0015] The electrical circuit schematic 40 for such a connection is shown in Figure 3. In this circuit 40, test cell 22 is connected to an amplifier 42 and powered by a DC voltage source 44. Measurement loop 26 will thus have a response current flowing through conductors 12 and 14 in a counterclockwise direction 46. The noise cancellation loop 32, formed by conductors 34 and 36 and resistor 38 will have a current produced by source 44 flowing therethrough in a clockwise direction 48. Loop 32 may thus be seen to be arranged to be in an "anti-parallel" relationship with loop 26. Since a stray ambient electromagnetic field will induce substantially the same currents in each of loops 32 and 26 (i.e., the induced currents will be substantially the same in magnitude and in direction), the total currents in those loops may be added together at the negative summing junction 51 of amplifier 42, canceling or reducing the effect of the electromagnetic interference. It is to be understood that the DC current through resistor 38 will be a fixed offset to the response current in loop 26 and can be accounted for in a conventional manner. Resistor 38 preferably has a "flat" frequency response, such that the impedance in the noise cancellation loop 32 is substantially frequency independent. It is to be understood, however, that there is an inductance associated with each of the loops 26 and 32, and that such inductances are preferably made as similar as possible, such that the total impedance of loop 32 has substantially the same frequency response as the total impedance of loop 26, taking into account the conductors, any stray capacitance, and the test cell 22 (for loop 26) or resistor 38 (for loop 32). The voltage source 44 and amplifier 42 provide the means for determining the response current to provide an indication of an analyte concentration in the test cell or reaction zone 22.

[0016] It is to be further understood that the amperometric response current measured by the circuit 40 of Figure 3 will have a modified characteristic from that when the prior art sensor 10 is used without the noise cancellation loop. More particularly, when the noise cancellation loop 32 is connected, the change in impedance of test cell 22 will be that of a variable resistor (depending upon analyte concentration) in parallel with a fixed

resistor 38. The gain of circuit 40 will be the ratio of a feedback resistor 50 to the parallel equivalent of the impedances 22 and 38. Conventional offset and calibration subcircuits (not shown) may be used with amplifier 42 according to well-known techniques. It is to be understood that the output 52 of operational amplifier 42 is preferably further processed to provide signal conditioning by additional circuitry (also not shown). Such additional circuitry may include scaling, switching, and analog to digital conversion, as is well known for amperometric analysis of response currents, for example measurement and display of glucose concentration in the reaction zone 22 by measurement of Cottrell current.

[0017] Referring now to Figure 4, an alternative embodiment of the biosensing cell assembly 130 may be seen. In this embodiment, the measurement loop 26 and the noise cancellation loop 32 are positioned adjacent each other on a common substrate 116. Even though the same field lines will not pass through both loops, such an arrangement will expose both loops to substantially the same electromagnetic environment, especially where field gradients are low, as is expected in the regions where amperometric analyses are expected to take place.

[0018] Referring now to Figures 5 and 6, a still further alternative embodiment of a biosensing cell assembly 230 may be seen. In this embodiment, the measurement loop 26 is located on one side of a substrate 216, while the noise measurement loop 32 is located on other side of substrate 216. In this embodiment, loops 26 and 32 are preferably substantially congruent to each other and separated only by the thickness of substrate 216.

[0019] Referring now to Figures 7 and 8, a system comprising a biosensing cell assembly and an instrument for evaluating biosensing cell assemblies to determine analyte concentrations as a still further alternative embodiment of the present invention may be seen. This embodiment makes use of the prior art biosensing cell assembly 10 and provides a shelf or support 54 carrying the noise cancellation loop 32. In operation, assembly 10 carrying conductors 12 and 14 and reaction zone 22 of the measurement loop 26 is inserted into a measuring instrument 56, to provide a system as shown in Figure 7. As may be most clearly seen in comparison with Figure 8 (showing the noise cancellation loop 32 in shelf 54) the measurement loop 26 will be physically aligned with (and generally preferably substantially congruent to) the noise cancellation loop 32 when the test strip or assembly 10 is inserted into the instrument 56. Thus this embodiment has the instrument 56 electrically connectable to the measuring loop 26 and has the noise cancellation loop 32 located on the structure 54 adjacent the measurement loop 26 when the measurement loop is connected to the instrument.

[0020] Referring now to Figure 9, an alternative (simplified) schematic 340 for the biosensing cell assembly 330, power source 344 and amplifier 342 may be seen. In this embodiment it is to be understood that the re-

sponse current caused by voltage source 344 flows in a counterclockwise direction 46 in the measurement loop 26. Similarly, current caused by voltage source 344 in the noise cancellation loop 32 flows in a counterclockwise direction, indicated by arrow 46. The noise cancellation loop 32 is connected to an inverting input 62 of an amplifier 64. An output 66 of amplifier 64 is connected through a summing resistor 70 to the inverting input 51 of amplifier 342. A feedback resistor 68 is connected between the inverting input 62 and the output 66 of amplifier 64. Feedback resistor 68 is preferably sized to set the gain of amplifier 66 in a conventional manner using the ratio of the resistance of resistor 68 to the resistance of resistor 38 (assuming the impedance of source 344 is negligible). Summing resistor 70 is preferably selected to make the steady state output of the noise cancellation loop 32 equal to that of measurement loop 26.

[0021] In the embodiment shown in Figure 9, it is to be understood that any stray electromagnetic field will cut both loops 26 and 32 substantially identically, and thus induce in-phase currents in each loop. By summing the output of the measurement loop 26 with an inverted signal (from amplifier 64) representing the output of the noise cancellation loop 32 at the inverting input 51 of amplifier 342, the error induced by a stray field in the electromagnetic environment may be effectively subtracted from the measurement loop signal. The resistance value of resistors 70 and 68 may be selected to optimize the error correction. By way of contrast, the phases of the electromagnetically induced signals or currents in the arrangement shown in Figures 2 and 3 are 180 degrees out of phase and thus need to be added to cancel.

[0022] Additionally, it is to be understood that when the effective impedances of loops 26 and 32 are unequal, the induced error currents will not cancel completely; however, in such circumstances, a reduction in error caused by induced currents from the electromagnetically propagated field energy irradiating the biosensor cell assembly will occur, even if the error is not eliminated entirely.

[0023] The present invention may thus be seen to include a method of reducing electromagnetic interference in a measurement loop of the type providing an indication of analyte concentration using a response current passing through a test cell by way of a pair of conductors on a substrate. In one form, the method includes physically aligning a noise cancellation loop with the measurement loop formed by the test cell and pair of conductors on a substrate, and connecting the noise cancellation loop in anti-parallel with the measurement loop such that any stray electromagnetic field induced current in the measurement loop is cancelled by a current induced by the same stray electromagnetic field in the noise cancellation loop. The method may include forming the noise cancellation loop and the measurement loop on the same test strip. Alternatively, the method may include providing the measurement loop on a

disposable test strip and providing the noise cancellation loop on an instrument such that the noise cancellation loop is physically aligned with the measurement loop when the test strip is connected to the instrument.

[0024] This invention is not to be taken as limited to all of the details thereof as modifications and variations thereof may be made without departing from the spirit or scope of the invention.

Claims

1. A biosensing cell assembly comprising:

a. a substrate (16) having a proximal end and a distal end;
b. a measurement loop (26) located on the substrate, the measurement loop including:

i. a pair of spaced-apart conductors (12, 14) each having a proximal end and a distal end, the proximal ends located at the proximal end of the substrate for connection to an instrument,

ii. a test cell connected across the distal ends of the conductors, the test cell having an analyte reaction zone (22) with an electrical impedance that varies in response to analyte concentration; and

c. a noise cancellation loop (32) physically arranged to be exposed to substantially the same electromagnetic environment as the measurement loop and electrically connected to substantially cancel the effect of electromagnetically propagated field energy irradiating the biosensor cell assembly.

2. The biosensing cell assembly of claim 1 wherein the noise cancellation loop is on the substrate.

3. The biosensing cell assembly of claim 2 wherein the measurement loop and the noise cancellation loop are on the same side of the substrate.

4. The biosensing cell assembly of claim 3 wherein the measurement loop and the noise cancellation loop circumscribe generally the same area.

5. The biosensing cell assembly of claim 3 wherein the measurement loop and the noise cancellation loop are located adjacent each other.

6. The biosensing cell assembly of claim 2 wherein the measurement loop and the noise cancellation loop are on opposite sides of the substrate.

7. The biosensing cell assembly of claim 6 wherein the

- measurement loop and the noise cancellation loop are substantially congruent.
8. The biosensing cell assembly of claim 1 wherein the measurement loop is physically arranged to have a first current induced therein having a first phase associated therewith when exposed to an ambient electromagnetic field and wherein the noise cancellation loop is physically arranged to have a second current induced therein, the second current having a second phase associated therewith when the noise cancellation loop is exposed to the same ambient electromagnetic field and wherein the first and second currents are combined to substantially reduce the effect of the ambient electromagnetic field on the biosensing cell assembly. 5
 9. The biosensing cell of claim 8 wherein the first and second currents are combined to substantially cancel the effect of the ambient electromagnetic field on the biosensing cell assembly. 10
 10. System for the measurement of analyte concentrations or detection of analytes comprising a biosensing cell assembly according to claim 1 and further comprising an instrument (56) electrically connectable to the measurement loop. 15
 11. System according to claim 10, wherein the noise cancellation loop is located on a structure adjacent the measurement loop when the measurement loop is connected to the instrument. 20
 12. System of claim 8 wherein the noise cancellation loop is substantially congruent to the measurement loop. 25
 13. The system of claim 10 further including means for determining a response current to provide an indication of an analyte concentration. 30
 14. The system of claim 13 wherein the means for determining the response current comprises a voltage source to apply a voltage across the test cell via the pair of conductors in the measurement loop and an amplifier connected to amplify the response current resulting therefrom. 35
 15. The system of claim 14 wherein the measurement loop and the noise cancellation loop are physically arranged to have the phase of the second current displaced by 180 degrees from the phase of the first current and the measurement loop and the noise cancellation loop are electrically connected to add the first and second currents together. 40
 16. The system of claim 14 wherein the measurement loop and the noise cancellation loop are physically arranged to have the first and second currents in phase with each other and the measurement loop and the noise cancellation loop are electrically connected to subtract the second current from the first current. 45
 17. The biosensing cell assembly of claim 1 wherein the electrical impedance of the test cell varies within a predetermined range in response to various concentrations of the analyte. 50
 18. The biosensing cell assembly of claim 17 wherein a predetermined impedance is included in the noise cancellation loop. 55
 19. The biosensing cell assembly of claim 18 wherein the predetermined impedance included in the noise cancellation loop is within the impedance range of the test cell when the test cell is amperometrically monitoring a response current to provide an indication of the analyte concentration.
 20. The biosensing cell assembly of claim 18 wherein the impedance in the noise cancellation loop is substantially frequency independent.
 21. The biosensing cell assembly of claim 18 wherein the noise cancellation loop has a pair of conductors, and the combination of the impedance in the noise cancellation loop, together with the conductors of the noise cancellation loop, has substantially the same frequency response characteristics as the combination of the test cell and conductors of the measurement loop.
 22. A method of reducing electromagnetic interference in a measurement loop of the type providing an indication of analyte concentration using a response current passing through a test cell by way of a pair of conductors on a substrate, the method comprising:
 - a. physically aligning a noise cancellation loop with a measurement loop formed by the test cell and pair of conductors on a substrate; and
 - b. connecting the noise cancellation loop in anti-parallel with the measurement loop
 such that any stray electromagnetic field induced current in the measurement loop is cancelled by a current induced by the same stray electromagnetic field in the noise cancellation loop.
 23. The method of claim 22 wherein step a further comprises forming the noise cancellation loop and the measurement loop on the same test cell.
 24. The method of claim 23 wherein a further step com-

prises providing the measurement loop on a disposable test cell and providing the noise cancellation loop on an instrument such that the noise cancellation loop is physically aligned with the measurement loop when the test cell is connected to the instrument. 5

10

15

20

25

30

35

40

45

50

55

6

Fig. 1

PRIOR ART

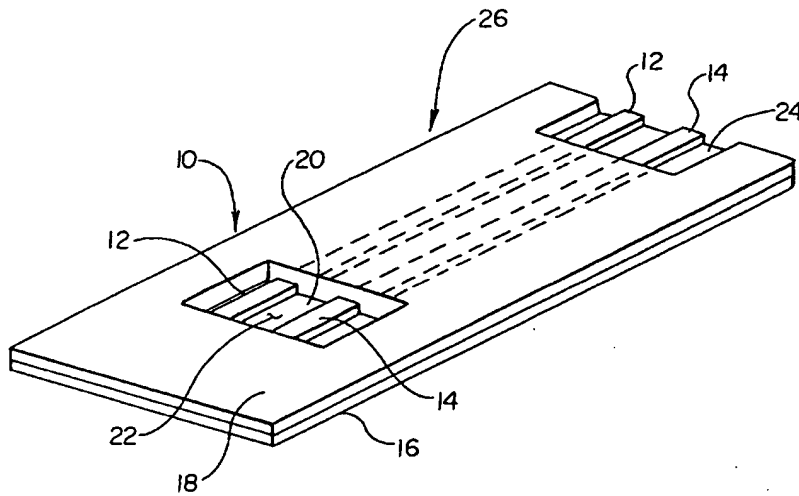


Fig. 2

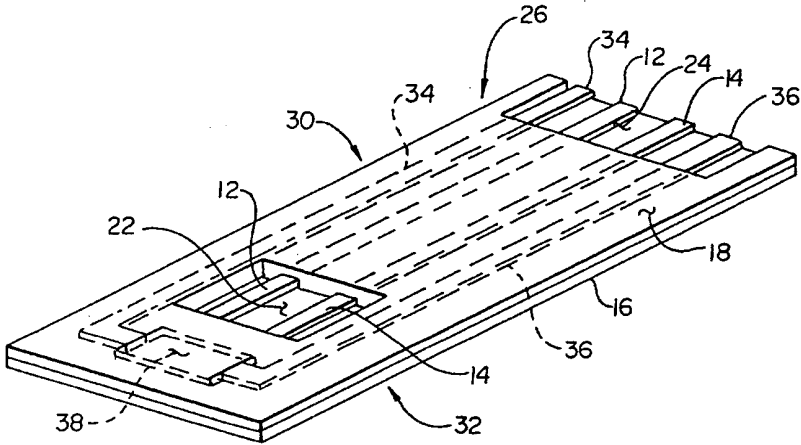


Fig. 4

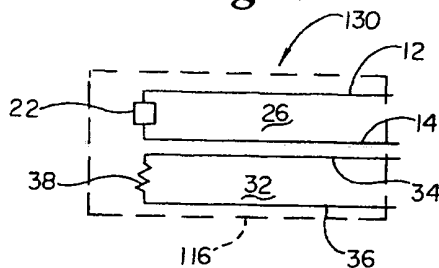


Fig. 5

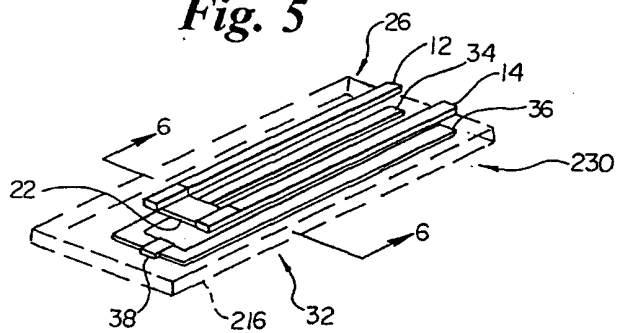


Fig. 6

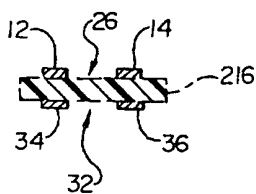


Fig. 7

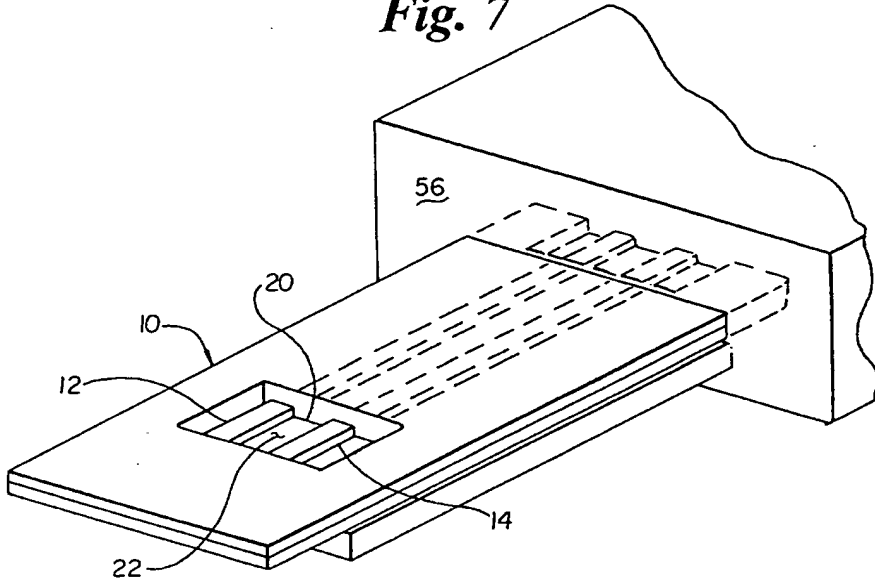


Fig. 8

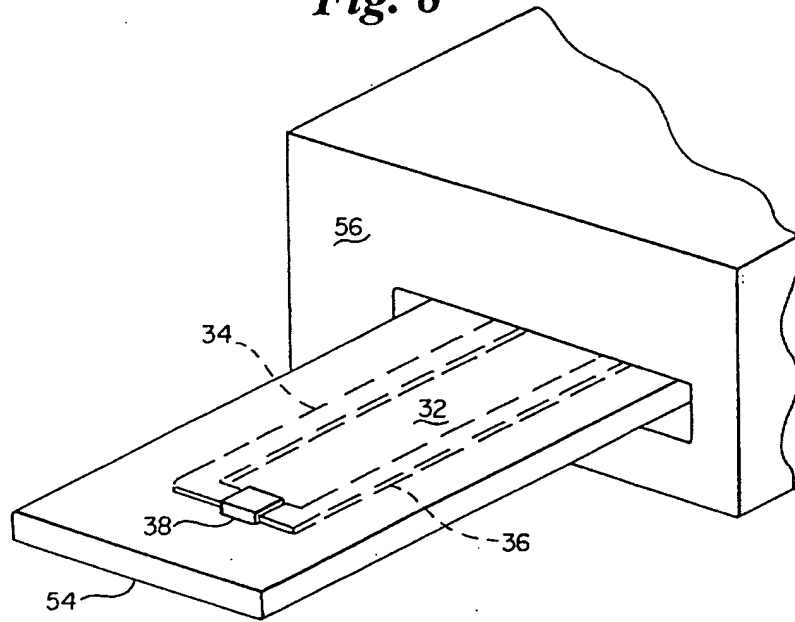
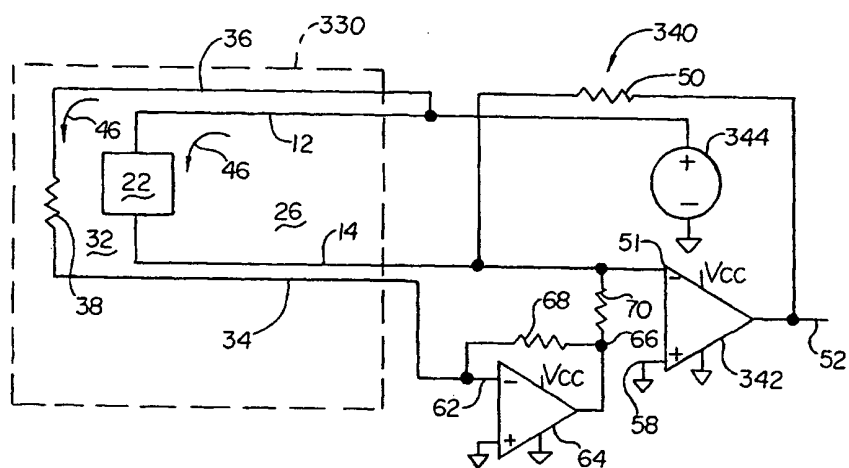


Fig. 9



**This Page is Inserted by IFW Indexing and Scanning
Operations and is not part of the Official Record**

BEST AVAILABLE IMAGES

Defective images within this document are accurate representations of the original documents submitted by the applicant.

Defects in the images include but are not limited to the items checked:

- BLACK BORDERS**
- IMAGE CUT OFF AT TOP, BOTTOM OR SIDES**
- FADED TEXT OR DRAWING**
- BLURRED OR ILLEGIBLE TEXT OR DRAWING**
- SKEWED/SLANTED IMAGES**
- COLOR OR BLACK AND WHITE PHOTOGRAPHS**
- GRAY SCALE DOCUMENTS**
- LINES OR MARKS ON ORIGINAL DOCUMENT**
- REFERENCE(S) OR EXHIBIT(S) SUBMITTED ARE POOR QUALITY**
- OTHER:** _____

IMAGES ARE BEST AVAILABLE COPY.

As rescanning these documents will not correct the image problems checked, please do not report these problems to the IFW Image Problem Mailbox.

This Page Blank (uspto)